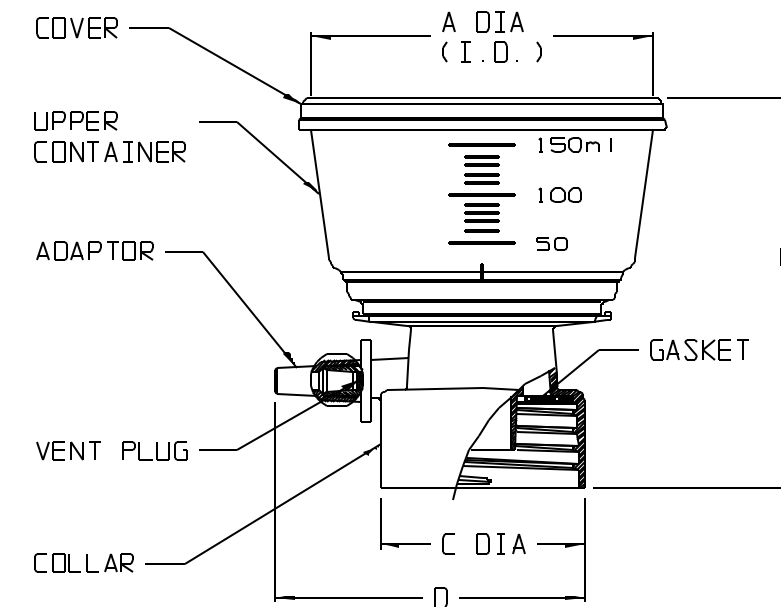


CAT. NO.....:	296-3345		296-4545	
PORE SIZE (µm).....:	0.45		0.45	
UPPER CAP. (mL).....:	150		150	
BOTTLE NECK SIZE.....:	33mm		45mm	
MEMBRANE COLOR.....:	WHITE		WHITE	
MEMBRANE DIA (mm).....:	50		50	
	INCHES	MM	INCHES	MM
A (UPPER I.D.).....:	3.15	80.0	3.15	80.0
B HEIGHT.....:	3.6	91	3.6	91
C DIA (BASE).....:	1.4	36	1.9	48
D DIM.....:	2.5	64	3.0	76
NOM. WT. (gms).....:	38		40	

MATERIALS	
UPPER CONTAINER	PS
COVER	PS
COLLAR	BLUE PS
ADAPTOR	WHITE LOPE
GASKET	FOAMED LOPE
MEMBRANE	PES
VENT PLUG	CA

NOTES:

1. ALL DIMENSIONS ARE NOMINAL AND IN INCHES AND MILLIMETERS UNLESS OTHERWISE NOTED.
2. THIS IS NOT A PRODUCTION DRAWING, BUT IS FOR INFORMATIONAL PURPOSES ONLY, AND IS SUBJECT TO CHANGE WITHOUT NOTICE.



SPECS ON BACK

NOT TO SCALE

CONFIDENTIAL

THIS PRODUCT SPECIFICATION SHEET CONTAINS CONFIDENTIAL AND/OR PROPRIETARY INFORMATION AND IS TO BE USED ONLY FOR THE EXPRESSED PURPOSES AGREED UPON BY AN AUTHORIZED OFFICER OF THERMO FISHER SCIENTIFIC.

**ThermoFisher**  
SCIENTIFIC

Thermo Fisher Scientific  
75 Panorama Creek Drive  
Rochester, NY 14625-2385, USA

MADE	MC <sup>2</sup>	APP'D	PVC	PSS 00-0296-XX45	REV.
CR'D	SH	12/22/05			1205
DESCRIPTION:					
BOTTLE TOP FILTERS					